

THE 524EZ SERIES VALVES ARE SOLENOID OPERATED FOR PRECISE GLUE PATTERNS AT HIGH MACHINE SPEEDS. THE VALVE FEATURES A CERAMIC TIPPED PLUNGER ASSEMBLY AND NO DYNAMIC SEALS FOR LONG LIFE. THE 524EZR VERSION OFFERS AN ADJUSTABLE STROKE FOR MORE FLEXIBLE PATTERN CONTROL

APPLICATIONS

FOLDING CARTONS, ENVELOPES, MAILERS AND ANY HIGH PRESSURE, HIGH SPEED, NON-CONTACT APPLICATIONS

TECHNICAL DATA

COIL RESISTANCE - 5.3 OHMS
 VALVE WIDTH - 25mm (.984in)
 VALVE HEIGHT (EZR STANDARD) - 126.05mm (4.963in)
 VALVE HEIGHT (EZR LOW) - 120.66mm (4.751in)
 VALVE HEIGHT (EZR STANDARD) - 114.13mm (4.493in)
 VALVE HEIGHT (EZR LOW) - 108.75mm (4.261in)
 MAX FLUID PRESURE - 500psi
 VISCOSITY RANGE - 0 - 4000 cps
 HOLD VOLTAGE - 6 VDC

VALVE ASSEMBLIES

SEE SHEET 2

MAINTENANCE KITS

MAINTENANCE KIT (VITON) - 707XX559
 MAINTENANCE KIT (EP) - 707XX632

MAINTENANCE KITS INCLUDE:

- GREASE
- FLUSHING ADAPTER
- NOZZLE CLEANING DRILLS
- CLEANING BRUSH
- PLUNGER ASSEMBLY
- O-RINGS
- SPRING

REPAIR KITS

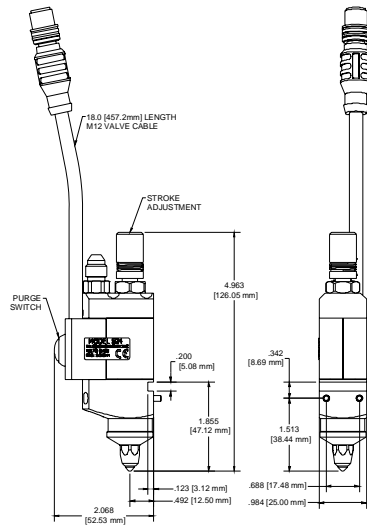
REPAIR KIT (VITON) - 712XX012
 REPAIR KIT (EP) - 712XX013

REPAIR KITS INCLUDE:

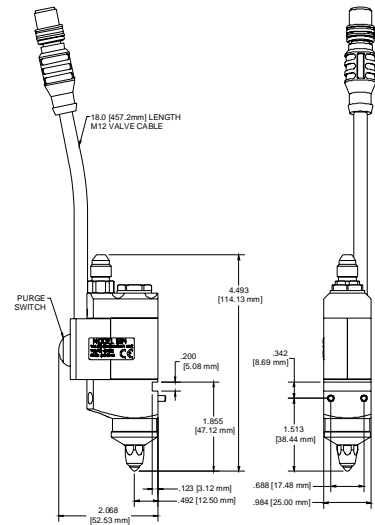
- O-RINGS
- SPRING
- MOUNTING SCREWS

STROKE ADJUSTMENT

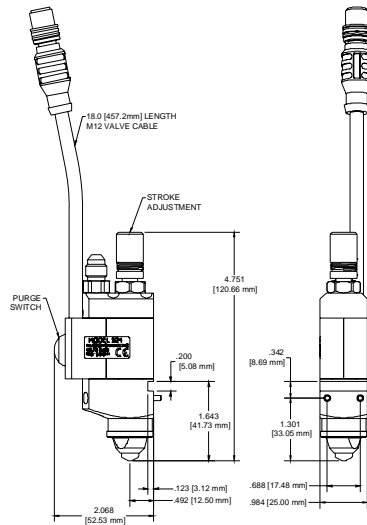
THE STROKE ADJUSTMENT FINE-TUNES PLUNGER MOTION IN THE VALVE. THE STANDARD SETTING IS TO TIGHTEN THE ADJUSTMENT KNOB COMPLETELY, AND THEN LOOSEN IT 1/2 ROTATION.



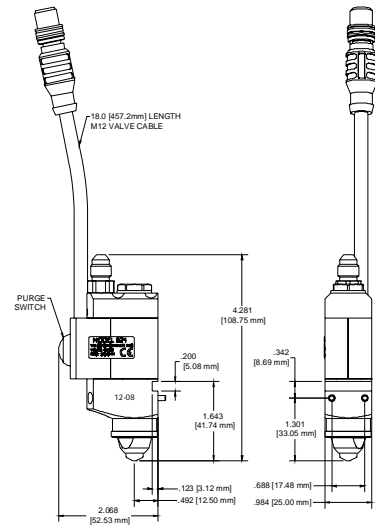
524EZR STANDARD VALVE



524EZR STANDARD VALVE



524EZR LOW-RESTRICTION VALVE



524EZR LOW-RESTRICTION VALVE

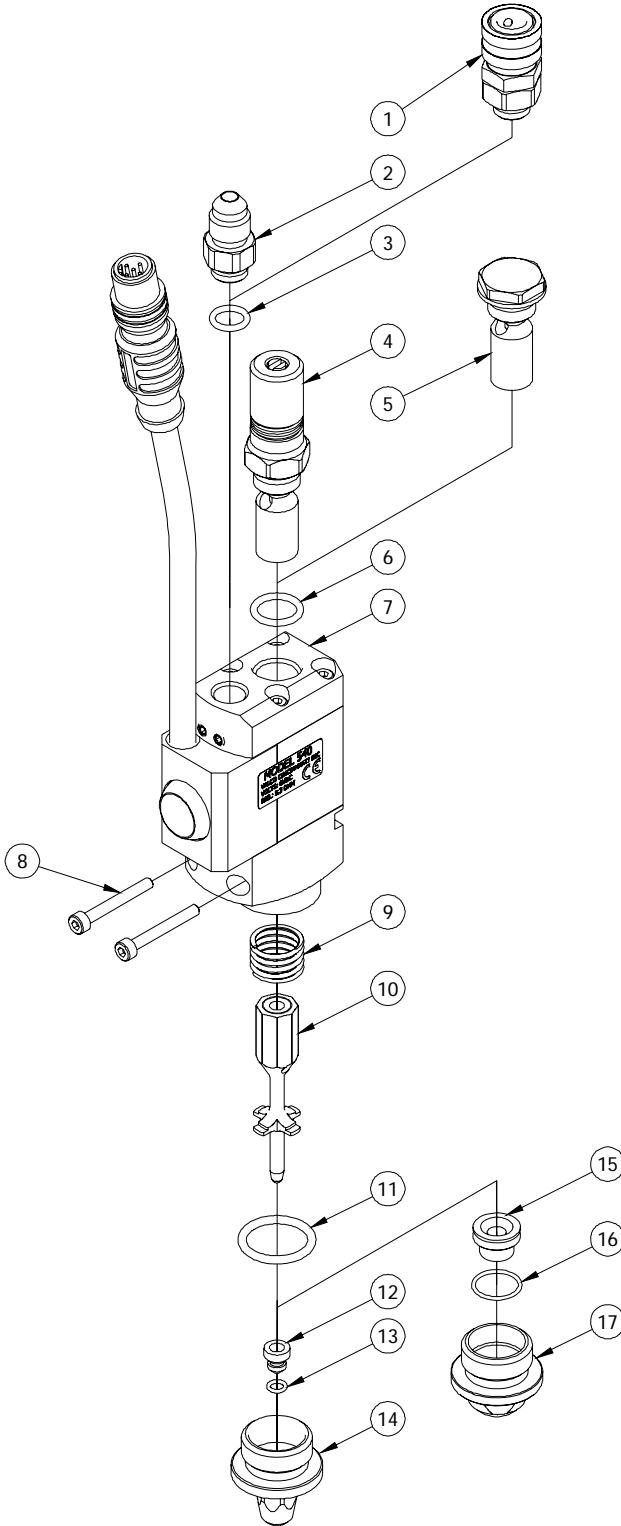


VALCO MELTON™
524 EZR/EZR Valve



CAUTION!

Before installing the adjustable backstop (4), open the stroke adjustment knob fully. During reassembly, the backstop (4 or 5), and the adapter assembly (14 or 17), must be tightened into the valve sub-assembly (7) completely.



REPLACEMENT PARTS

		VITON	EP
1	FITTING - SWIVEL	799XX658	707XX607
2	JIC CONNECTOR	707XX345	707XX618
3	O-RING (INCLUDED W/ ITEMS 1 & 2)	745XX339	746XX119
4	ADJUSTABLE BACKSTOP	707XX472	707XX608
5	NON-ADJUSTABLE BACKSTOP	712XX014	712XX015
6	O-RING (INCLUDED W/ ITEM 4 & 5)	745XX340	746XX089
7	VALVE SUB ASSEMBLY	707XX477	707XX477
8	SHCS M3 X 25 SS	798XX049	798XX049
9	SPRING	783XX042	783XX042
10	PLUNGER ASSEMBLY	707XX529	707XX529
11	O-RING (INCLUDED W/ ITEMS 14 & 17)	745XX007	746XX170
12A	SEAT ASSEMBLY - STANDARD - 0.25mm	707XX110	707XX110
12B	SEAT ASSEMBLY - STANDARD - 0.30mm	707XX073	707XX073
12C	SEAT ASSEMBLY - STANDARD - 0.35mm	707XX074	707XX074
12D	SEAT ASSEMBLY - STANDARD - 0.40mm	707XX075	707XX075
12E	SEAT ASSEMBLY - STANDARD - 0.50mm	707XX076	707XX076
12F	SEAT ASSEMBLY - STANDARD - 0.60mm	707XX077	707XX077
12G	SEAT ASSEMBLY - STANDARD - 0.70mm	707XX078	707XX078
12H	SEAT ASSEMBLY - STANDARD - 0.80mm	707XX079	707XX079
13	O-RING (INCLUDED W/ ITEM 12)	745XX527	745XX527
14	ADAPTER ASSEMBLY - STANDARD (INCLUDES ITEM 11)	707XX513	707XX613
15A	SEAT ASSEMBLY - LOW RESTRICTION - 0.25mm	707XX521	712XX021
15B	SEAT ASSEMBLY - LOW RESTRICTION - 0.30mm	707XX522	712XX022
15C	SEAT ASSEMBLY - LOW RESTRICTION - 0.35mm	707XX523	712XX023
15D	SEAT ASSEMBLY - LOW RESTRICTION - 0.40mm	707XX524	712XX024
15E	SEAT ASSEMBLY - LOW RESTRICTION - 0.50mm	707XX525	712XX025
15F	SEAT ASSEMBLY - LOW RESTRICTION - 0.60mm	707XX526	712XX026
15G	SEAT ASSEMBLY - LOW RESTRICTION - 0.70mm	707XX527	712XX027
15H	SEAT ASSEMBLY - LOW RESTRICTION - 0.80mm	707XX528	712XX028
16	O-RING (INCLUDED W/ ITEM 16)	746XX180	746XX183
17	ADAPTER ASSEMBLY - LOW RESTRICTION (INCLUDES ITEM 11)	707XX518	707XX614

524EZR STANDARD NOZZLE VALVE ASSEMBLY

524EZR VALVE ASSEMBLY - 0.25mm	707XX541	707XX691
524EZR VALVE ASSEMBLY - 0.30mm	707XX542	707XX692
524EZR VALVE ASSEMBLY - 0.35mm	707XX543	707XX693
524EZR VALVE ASSEMBLY - 0.40mm	707XX544	707XX694
524EZR VALVE ASSEMBLY - 0.50mm	707XX545	707XX695
524EZR VALVE ASSEMBLY - 0.60mm	707XX546	707XX696
524EZR VALVE ASSEMBLY - 0.70mm	707XX547	707XX697
524EZR VALVE ASSEMBLY - 0.80mm	707XX548	707XX698

524EZR LOW RESTRICTION NOZZLE VALVE ASSEMBLY

524EZR VALVE ASSEMBLY - 0.25mm	707XX561	707XX681
524EZR VALVE ASSEMBLY - 0.30mm	707XX562	707XX682
524EZR VALVE ASSEMBLY - 0.35mm	707XX563	707XX683
524EZR VALVE ASSEMBLY - 0.40mm	707XX564	707XX684
524EZR VALVE ASSEMBLY - 0.50mm	707XX565	707XX685
524EZR VALVE ASSEMBLY - 0.60mm	707XX566	707XX686
524EZR VALVE ASSEMBLY - 0.70mm	707XX567	707XX687
524EZR VALVE ASSEMBLY - 0.80mm	707XX568	707XX688

524EZR STANDARD NOZZLE VALVE ASSEMBLY

524EZR VALVE ASSEMBLY - 0.25mm	707XX551	707XX671
524EZR VALVE ASSEMBLY - 0.30mm	707XX552	707XX672
524EZR VALVE ASSEMBLY - 0.35mm	707XX553	707XX673
524EZR VALVE ASSEMBLY - 0.40mm	707XX554	707XX674
524EZR VALVE ASSEMBLY - 0.50mm	707XX555	707XX675
524EZR VALVE ASSEMBLY - 0.60mm	707XX556	707XX676
524EZR VALVE ASSEMBLY - 0.70mm	707XX557	707XX677
524EZR VALVE ASSEMBLY - 0.80mm	707XX558	707XX678

524EZR LOW RESTRICTION NOZZLE VALVE ASSEMBLY

524EZR VALVE ASSEMBLY - 0.25mm	707XX531	707XX661
524EZR VALVE ASSEMBLY - 0.30mm	707XX532	707XX662
524EZR VALVE ASSEMBLY - 0.35mm	707XX533	707XX663
524EZR VALVE ASSEMBLY - 0.40mm	707XX534	707XX664
524EZR VALVE ASSEMBLY - 0.50mm	707XX535	707XX665
524EZR VALVE ASSEMBLY - 0.60mm	707XX536	707XX666
524EZR VALVE ASSEMBLY - 0.70mm	707XX537	707XX667
524EZR VALVE ASSEMBLY - 0.80mm	707XX538	707XX668

THE 524EZ SERIES VALVES ARE SOLENOID OPERATED FOR PRECISE GLUE PATTERNS AT HIGH MACHINE SPEEDS. THE VALVE FEATURES A CERAMIC TIPPED PLUNGER ASSEMBLY AND NO DYNAMIC SEALS FOR LONG LIFE. THE 524EZR VERSION OFFERS AN ADJUSTABLE STROKE FOR MORE FLEXIBLE PATTERN CONTROL.

APPLICATIONS

FOLDING CARTONS, ENVELOPES, MAILERS AND ANY HIGH PRESSURE, HIGH SPEED, NON-CONTACT APPLICATIONS

TECHNICAL DATA

COIL RESISTANCE - 5.3 OHMS
 VALVE WIDTH - 25mm (.984in)
 VALVE HEIGHT (EZR LN) - 137.37mm (5.408in)
 VALVE HEIGHT (EZT LN) - 125.44mm (4.939in)
 MAX FLUID PRESURE - 500psi
 VISCOSITY RANGE - 0 - 4000 cps
 HOLD VOLTAGE - 6 VDC

VALVE ASSEMBLIES

SEE SHEET 2

MAINTENANCE KITS

MAINTENANCE KIT (VITON) - 707XX839
 MAINTENANCE KIT (EP) - 707XX849

MAINTENANCE KITS INCLUDE:

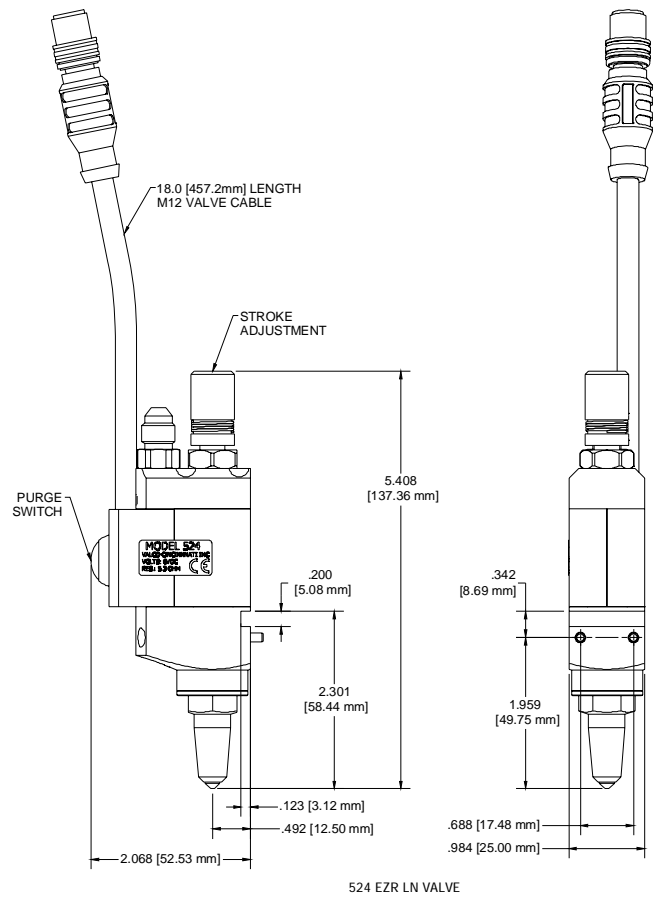
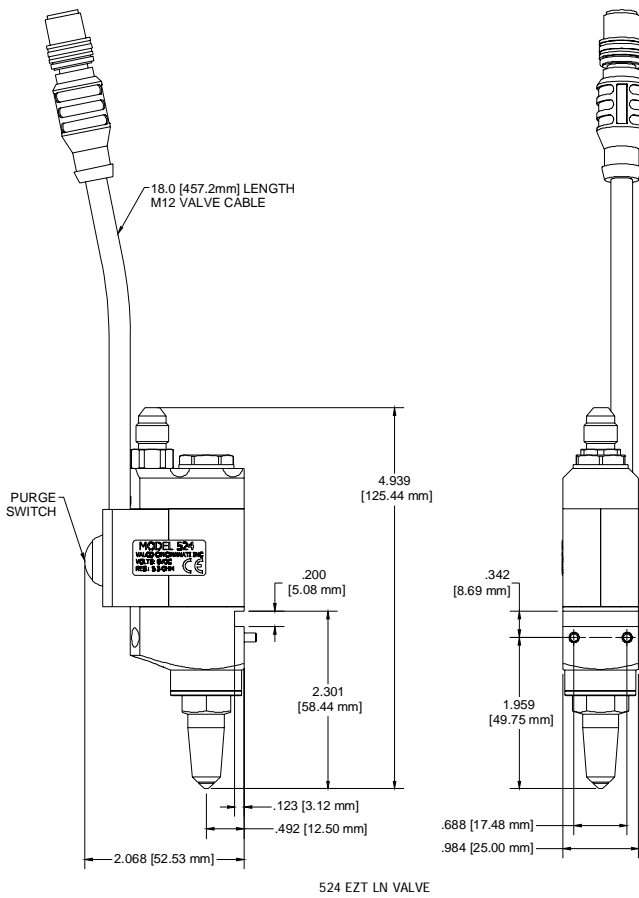
- LITHIUM GREASE
- FLUSHING ADAPTER
- NOZZLE CLEANING DRILLS
- CLEANING BRUSH
- PLUNGER ASSEMBLY
- O-RINGS
- SPRING

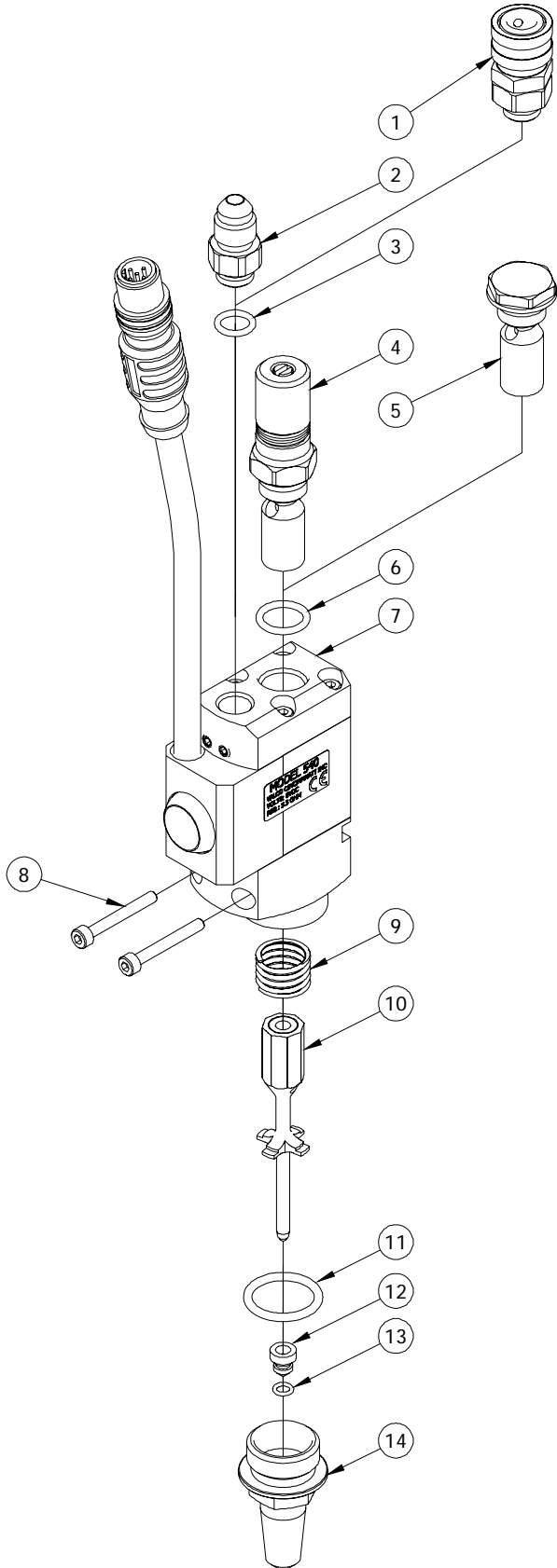
REPAIR KITS

REPAIR KIT (VITON) - 712XX012
 REPAIR KIT (EP) - 712XX013

REPAIR KITS INCLUDE:

- O-RINGS
- SPRING
- MOUNTING SCREWS





REPLACEMENT PARTS

		VITON	EP
1	FITTING - SWIVEL	799XX658	707XX607
2	JIC CONNECTOR	707XX345	707XX618
3	O-RING (INCLUDED W/ ITEMS 1 & 2)	745XX339	746XX119
4	ADJUSTABLE BACKSTOP	707XX472	707XX608
5	NON-ADJUSTABLE BACKSTOP	712XX014	712XX015
6	O-RING (INCLUDED W/ ITEMS 4 & 5)	745XX340	746XX089
7	VALVE SUB ASSEMBLY	707XX477	707XX477
8	SHCS M3 X 25 SS	798XX049	798XX049
9	SPRING	783XX042	783XX042
10	PLUNGER ASSEMBLY	707XX623	707XX623
11	O-RING (INCLUDED W/ ITEM 14)	745XX007	746XX170
12A	SEAT ASSEMBLY - STANDARD - 0.25mm	707XX110	707XX110
12B	SEAT ASSEMBLY - STANDARD - 0.30mm	707XX073	707XX073
12C	SEAT ASSEMBLY - STANDARD - 0.35mm	707XX074	707XX074
12D	SEAT ASSEMBLY - STANDARD - 0.40mm	707XX075	707XX075
12E	SEAT ASSEMBLY - STANDARD - 0.50mm	707XX076	707XX076
12F	SEAT ASSEMBLY - STANDARD - 0.60mm	707XX077	707XX077
12G	SEAT ASSEMBLY - STANDARD - 0.70mm	707XX078	707XX078
12H	SEAT ASSEMBLY - STANDARD - 0.80mm	707XX079	707XX079
13	O-RING (INCLUDED W/ ITEM 12)	745XX527	745XX527
14	NOZZLE ADAPTER ASSEMBLY (INCLUDES ITEM 11)	712XX016	712XX017

524EZR LONG NOZZLE VALVE ASSEMBLY

524EZR VALVE ASSEMBLY - 0.25mm	707XX831	707XX841
524EZR VALVE ASSEMBLY - 0.30mm	707XX832	707XX842
524EZR VALVE ASSEMBLY - 0.35mm	707XX833	707XX843
524EZR VALVE ASSEMBLY - 0.40mm	707XX834	707XX844
524EZR VALVE ASSEMBLY - 0.50mm	707XX835	707XX845
524EZR VALVE ASSEMBLY - 0.60mm	707XX836	707XX846
524EZR VALVE ASSEMBLY - 0.70mm	707XX837	707XX847
524EZR VALVE ASSEMBLY - 0.80mm	707XX838	707XX848

524EZT LONG NOZZLE VALVE ASSEMBLY

524EZT VALVE ASSEMBLY - 0.25mm	707XX851	707XX861
524EZT VALVE ASSEMBLY - 0.30mm	707XX852	707XX862
524EZT VALVE ASSEMBLY - 0.35mm	707XX853	707XX863
524EZT VALVE ASSEMBLY - 0.40mm	707XX854	707XX864
524EZT VALVE ASSEMBLY - 0.50mm	707XX855	707XX865
524EZT VALVE ASSEMBLY - 0.60mm	707XX856	707XX866
524EZT VALVE ASSEMBLY - 0.70mm	707XX857	707XX867
524EZT VALVE ASSEMBLY - 0.80mm	707XX858	707XX868

Design specifications subject to change without notice.

© Valco Cincinnati Inc. All Rights Reserved.

DS093

524 EZR/EZT LN Valve

8/2016

Valco Cincinnati Incorporated
411 Circle Freeway Drive
Cincinnati, Ohio 45246, USA
TEL: (1) 513-874-6550
FAX: (1) 513-874-3612

Melton S.L.U.
Pol. Industrial Agustinos
calle G, n. 34
31160 Orcoyen, Navarra, Spain
TEL: (34) 948-321-580
FAX: (34) 948-326-584

Valco Cincinnati, Ltd.
Unit 7-8
Hortonwood 32
Telford TF1 7YN England
TEL: (44) 1952-677911
FAX: (44) 1952-677945

Valco Cincinnati GmbH
Bonnerstrasse 349
40589 Dusseldorf-Benrath, Germany
Tel: +49 211 984 798-0
Fax: +49 211 984 798-20

Valco Melton France
Technoparc des Hautes Faventines
32 Rue Jean Bertin
26000 Valence
Tel: +33 (0)4 75 78 13 73
Fax: +33 (0)4 75 55 74 20

THE 524EC SERIES VALVES ARE SOLENOID OPERATED FOR PRECISE GLUE PATTERNS AT HIGH MACHINE SPEEDS. THE MALE SWIVEL ADAPTER ALLOWS FOR THE MOUNTING OF A BOARDRUNNER APPLICATOR HEAD. THE VALVE FEATURES A CERAMIC TIPPED PLUNGER ASSEMBLY AND NO DYNAMIC SEALS FOR LONG LIFE. THE 524ECR VERSION OFFERS AN ADJUSTABLE STROKE FOR MORE FLEXIBLE PATTERN CONTROL

APPLICATIONS

FOLDING CARTONS, ENVELOPES, MAILERS AND ANY HIGH PRESSURE, HIGH SPEED, NON-CONTACT APPLICATIONS

TECHNICAL DATA

COIL RESISTANCE - 5.3 OHMS
 VALVE WIDTH - 25mm (.984in)
 VALVE HEIGHT (ECR) - 134.58mm (5.298in)
 VALVE HEIGHT (ECT) - 122.66mm (4.829in)
 MAX FLUID PRESURE - 500psi
 VISCOSITY RANGE - 0 - 4000 cps
 HOLD VOLTAGE - 6 VDC

VALVE ASSEMBLIES

524ECT VALVE (VITON) - 707XX707
 524ECR VALVE (VITON) - 707XX705
 524ECT VALVE (EP) - 707XX708
 524ECR VALVE (EP) - 707XX706

MAINTENANCE KITS

MAINTENANCE KIT (VITON) - 707XX659
 MAINTENANCE KIT (EP) - 707XX660

MAINTENANCE KITS INCLUDE:

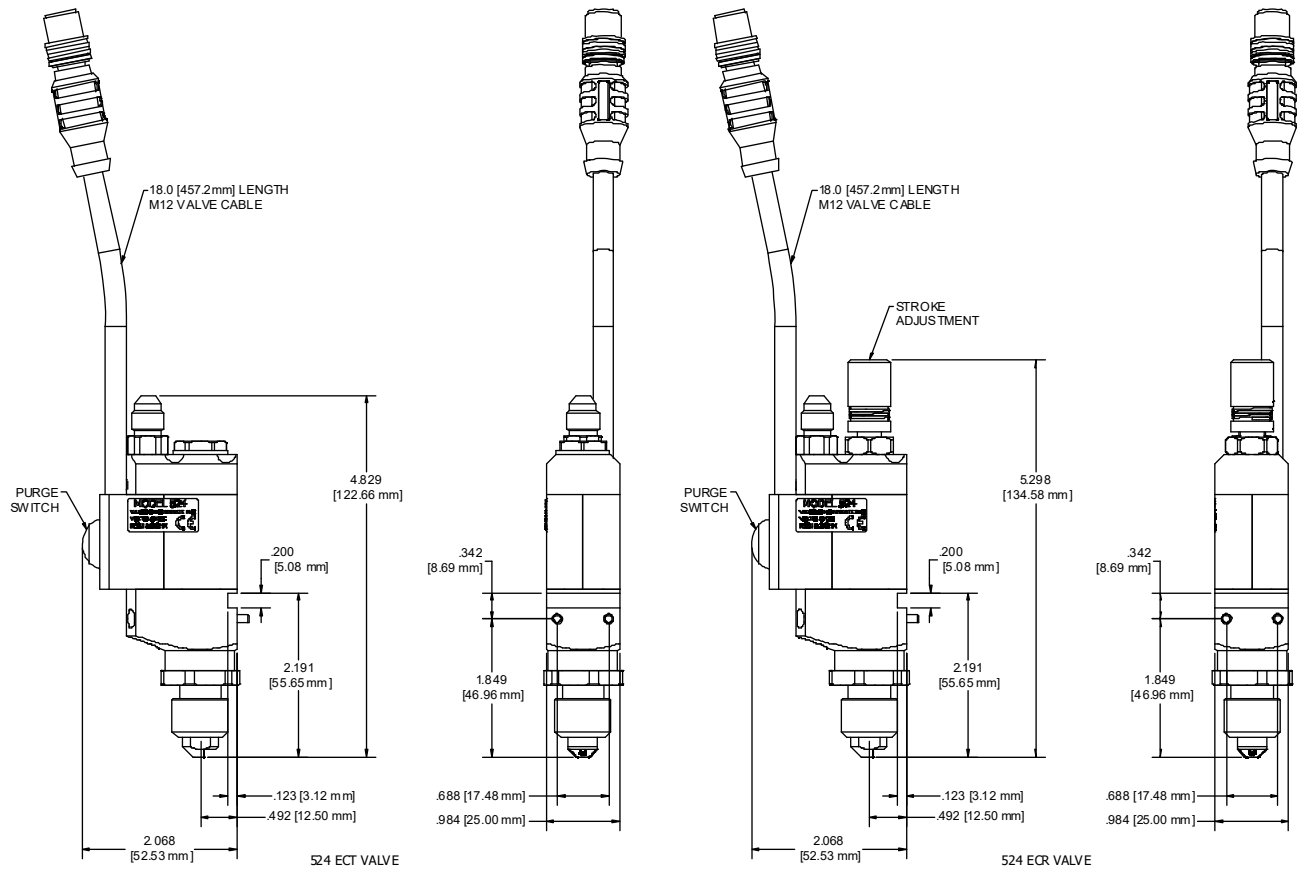
LITHIUM GREASE
 FLUSHING ADAPTER
 NOZZLE CLEANING DRILLS
 CLEANING BRUSH
 PLUNGER ASSEMBLY
 O-RINGS
 SPRING

REPAIR KITS

REPAIR KIT (VITON) - 712XX012
 REPAIR KIT (EP) - 712XX013

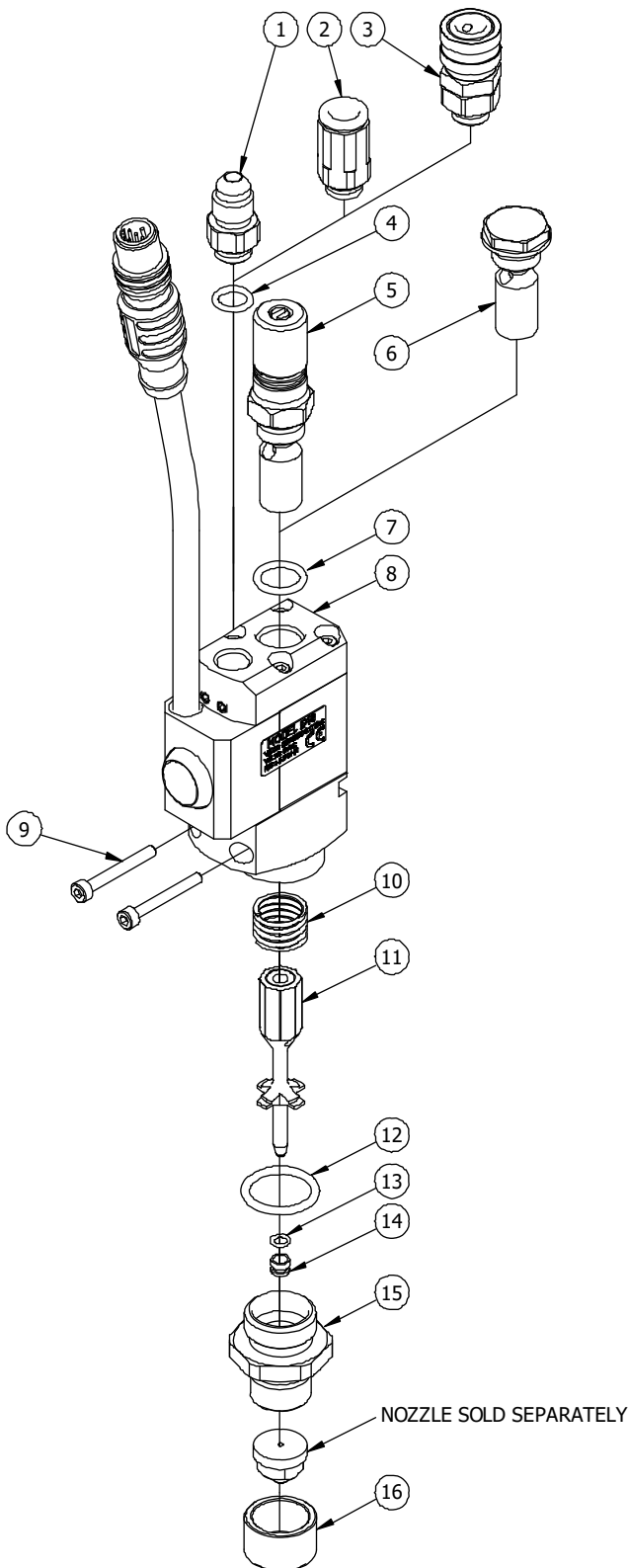
REPAIR KITS INCLUDE:

O-RINGS
 SPRING
 MOUNTING SCREWS



REPLACEMENT PARTS

		VITON	EP
1	JIC CONNECTOR	707XX345	707XX618
2	1/8" SPP X 8MM CONNECTOR	707XX102	707XX102
3	FITTING - SWIVEL	799XX658	707XX607
4	O-RING (INCLUDED W/ ITEMS 1, 2 & 3)	745XX339	746XX119
5	ADJUSTABLE BACKSTOP	707XX472	707XX608
6	NON-ADJUSTABLE BACKSTOP	712XX014	712XX015
7	O-RING (INCLUDED W/ ITEMS 4 & 5)	745XX340	746XX089
8	VALVE SUB ASSEMBLY	707XX477	707XX477
9	SHCS M3 X 25 SS	798XX049	798XX049
10	SPRING	783XX042	783XX042
11	PLUNGER ASSEMBLY	707XX529	707XX529
12	O-RING (INCLUDED W/ ITEM 15)	745XX007	746XX170
13	O-RING (INCLUDED W/ ITEM 14)	745XX527	745XX527
14	SEAT ASSEMBLY	707XX085	707XX085
15	ADAPTER ASSEMBLY (INCLUDES ITEMS 12,13, 14 & 16)	707XX657	707XX658
16	RETAINING NUT	793XX710	793XX710



NOZZLE - SINGLE ORIFICE - CERAMIC

- 704XX509 NOZZLE, CONTACT, .016 IN (0.40mm) VEIN
- 704XX402 NOZZLE, CONTACT, .020 IN (0.50mm) VEIN
- 704XX419 NOZZLE, CONTACT, .024 IN (0.60mm) VEIN
- 704XX401 NOZZLE, CONTACT, .028 IN (0.70mm) VEIN
- 707XX066 NOZZLE, CONTACT, .039 IN (1.00mm) VEIN

NOZZLE - SINGLE ORIFICE - CARBIDE

- 704XX886 NOZZLE, CONTACT, .012 IN (0.30mm) VEIN
- 707XX037 NOZZLE, CONTACT, .014 IN (0.35mm) VEIN
- 704XX887 NOZZLE, CONTACT, .016 IN (0.40mm) VEIN
- 704XX888 NOZZLE, CONTACT, .020 IN (0.50mm) VEIN
- 704XX889 NOZZLE, CONTACT, .024 IN (0.60mm) VEIN
- 704XX890 NOZZLE, CONTACT, .028 IN (0.70mm) VEIN

NOZZLE - SINGLE ORIFICE - STAINLESS STEEL

- 704XX449 NOZZLE, CONTACT, .010 IN (0.25mm) VEIN
- 704XX499 NOZZLE, CONTACT, .012 IN (0.30mm) VEIN
- 704XX585 NOZZLE, CONTACT, .014 IN (0.35mm) VEIN
- 704XX010 NOZZLE, CONTACT, .016 IN (0.40mm) VEIN
- 704XX009 NOZZLE, CONTACT, .020 IN (0.50mm) VEIN
- 704XX008 NOZZLE, CONTACT, .024 IN (0.60mm) VEIN
- 704XX007 NOZZLE, CONTACT, .028 IN (0.70mm) VEIN
- 704XX332 NOZZLE, CONTACT, .032 IN (0.80mm) VEIN
- 704XX331 NOZZLE, CONTACT, .039 IN (1.00mm) VEIN

NOZZLE - DUAL ORIFICE - STAINLESS STEEL

- 704XX260 NOZZLE, CONTACT, .016 IN (0.40mm) VEINS
.24 (6.0mm) CENTERS
- 704XX404 NOZZLE, CONTACT, .020 IN (0.50mm) VEINS
.24 (6.0mm) CENTERS
- 704XX405 NOZZLE, CONTACT, .024 IN (0.60mm) VEINS
.24 (6.0mm) CENTERS
- 704XX406 NOZZLE, CONTACT, .028 IN (0.70mm) VEINS
.24 (6.0mm) CENTERS
- 704XX261 NOZZLE, CONTACT, .016 IN (0.40mm) VEINS
.31 (8.0mm) CENTERS
- 704XX407 NOZZLE, CONTACT, .020 IN (0.50mm) VEINS
.31 (8.0mm) CENTERS
- 704XX408 NOZZLE, CONTACT, .024 IN (0.60mm) VEINS
.31 (8.0mm) CENTERS
- 704XX409 NOZZLE, CONTACT, .028 IN (0.70mm) VEINS
.31 (8.0mm) CENTERS

Design specifications subject to change without notice. © Valco Cincinnati Inc. All Rights Reserved. DS096 524 ECR/ECT Valve 4/2015

Valco Cincinnati Incorporated
411 Circle Freeway Drive
Cincinnati, Ohio 45246, USA
TEL: (1)513-874-6550
FAX: (1)513-874-3612

Melton S.L.U.
Pol. Industrial Agustinos
calle G, n. 34
31160 Orcoyen, Navarra, Spain
TEL: (34) 948-321-580
FAX: (34) 948-326-584

Valco Cincinnati, Ltd.
Unit 7-8
Hortonwood 32
Telford TF1 7YN England
TEL: (44) 1952-677911
FAX: (44) 1952-677945

Valco Cincinnati GmbH
Bonnerstrasse 349
40589 Dusseldorf-Benrath, Germany
Tel: +49 211 984798-0
Fax: +49 211 984798-20

Valco Melton France
Technoparc des Hautes Favelines
32 Rue Jean Bertin
26000 Valence
Tel: +33 (0)4 75 78 13 73
Fax: +33 (0)4 75 55 74 20

The **524EZT Manifold Mount Valve** is solenoid operated for precise glue patterns at high machine speeds. The valve features a ceramic-tipped plunger assembly, and no dynamic seals, for long life.

Applications

Folding cartons, envelopes, mailers and any high pressure, high speed, non-concact applications.

Technical Data

Coil Resistance: 5.3 ohms
 Valve Width: 25.00mm (.984in)
 Valve Height: 93.04mm (3.663in)
 Max Fluid Pressure: 500psi
 Viscosity Range: 0 - 4000 CPS
 Hold Voltage: 6 VDC

Valve Assembly

707xx625

Maintenance Kits

Maintenance Kit (Viton) - 707xx559
 Maintenance Kit (EP) - 707xx632

Maintenance Kits include:

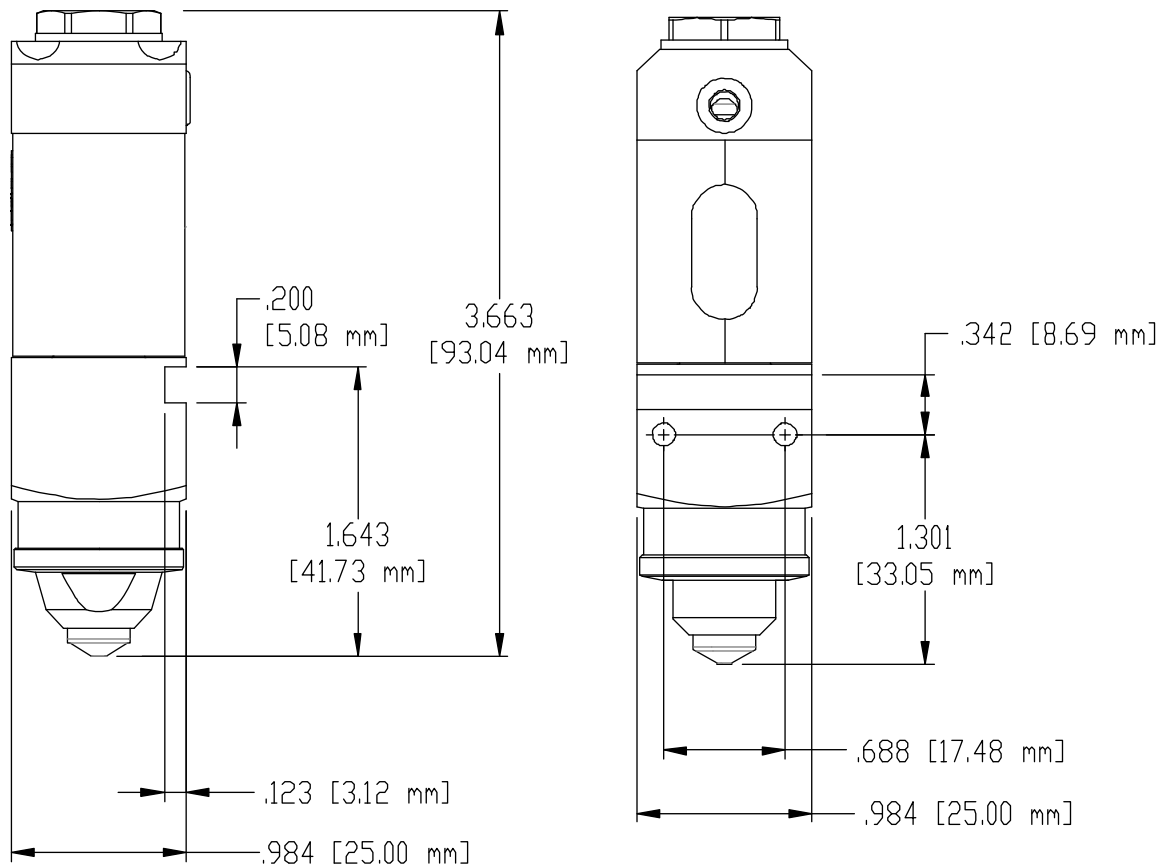
lithium grease
 flushing adapter
 nozzle cleaning drills
 cleaning brush
 plunger assembly
 O-rings
 spring

Repair Kits

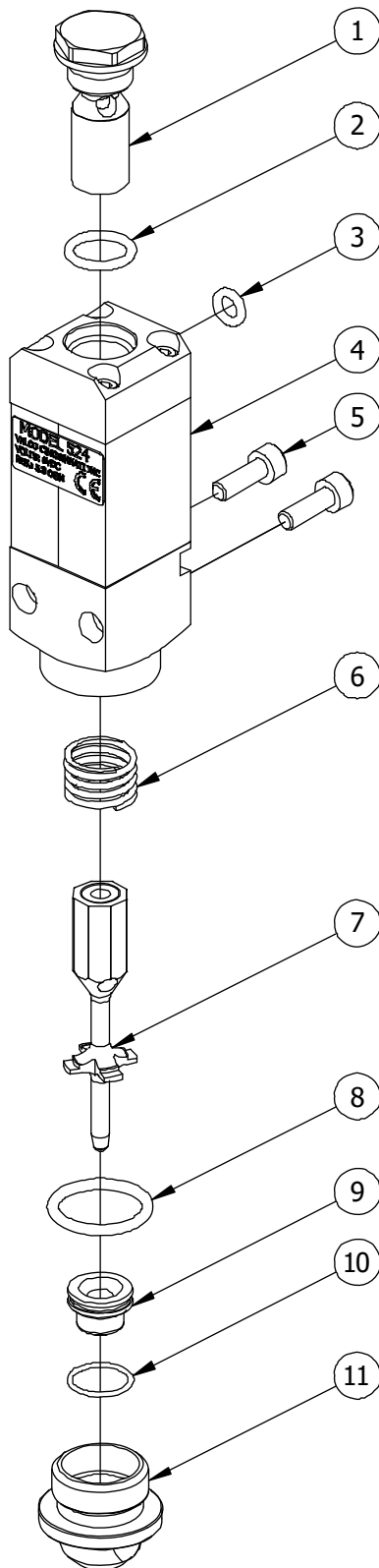
Repair Kit (Viton) - 712xx012
 Repair Kit (EP) - 712xx013

Repair Kits include:

O-rings
 spring
 mounting screws

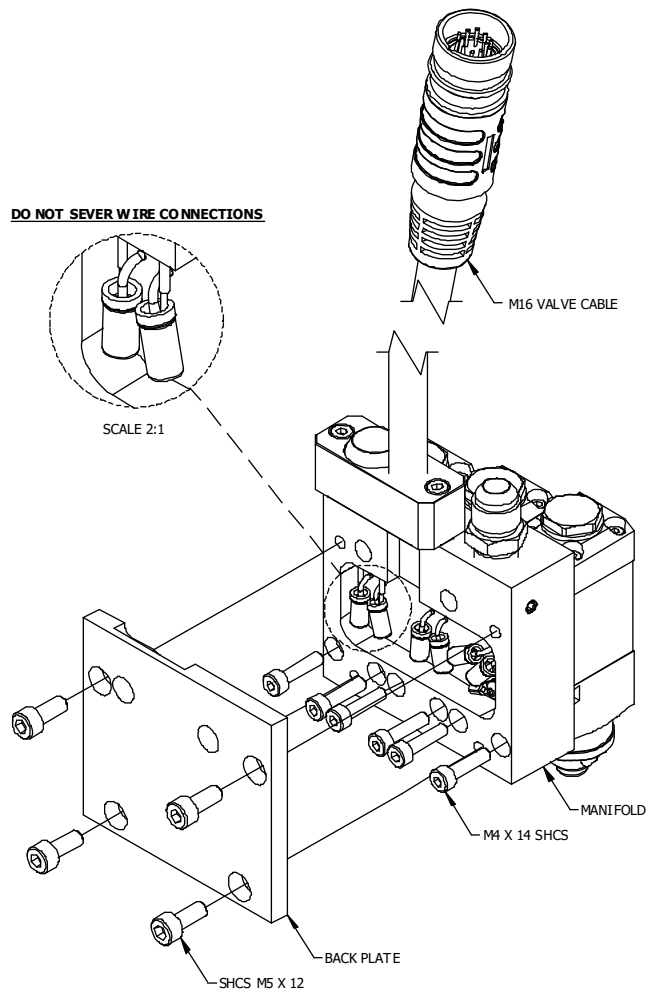


524EZT Manifold Mount Valves



Replacement Parts

		VITON	EP
1	BACKSTOP	707XX609	707XX609
2	O-RING	745XX340	746XX089
3	O-RING	745XX026	746XX204
4	VALVE SUB ASSEMBLY	707XX626	707XX626
5	SHCS M4 X 14 SS	884XX100	884XX100
6	SPRING	783XX042	783XX042
7	PLUNGER ASSEMBLY	707XX529	707XX529
8	O-RING (INCLUDED W/ ITEM 11)	745XX007	746XX170
9	NOZZLE ASSEMBLY (INCLUDES ITEM 10)	707XX524	712XX024
10	O-RING (INCLUDED W/ ITEM 9)	746XX180	746XX183
11	NOZZLE BODY ASSEMBLY (INCLUDES ITEM 8)	707XX518	707XX614



IMPORTANT

TO REMOVE THE VALVE ASSEMBLY FROM THE MANIFOLD TO REPLACE THE O-RING
 REMOVE THE BACK PLATE VIA THE FOUR (4) M5 X 12 SHCS.
 NEXT REMOVE THE VALVE ASSEMBLY VIA THE TWO (2) M4 X 14 SHCS.
 GENTLY REMOVE THE VALVE FROM THE MANIFOLD MAKING SURE NOT TO DAMAGE
 THE COIL WIRES FROM THE VALVE THAT ARE CONNECTED TO THE M16 VALVE CABLE

Design specifications subject to change without notice. © Valco Cincinnati Inc. All Rights Reserved. DS104 524E2T Manifold Mount Valves 1/2016

Valco Cincinnati Incorporated
 411 Circle Freeway Drive
 Cincinnati, Ohio 45246, USA
 TEL: (1) 513-874-6550
 FAX: (1) 513-874-3612

Melton S.L.U.
 Pol. Industrial Agustinos
 calle G, n. 34
 31160 Orcoyen, Navarra, Spain
 TEL: (34) 948-321-580
 FAX: (34) 948-326-584

Valco Cincinnati, Ltd.
 Unit 7-8
 Hortonwood 32
 Telford TF1 7YN England
 TEL: (44) 1952-677911
 FAX: (44) 1952-677945

Valco Cincinnati GmbH
 Bonnerstrasse 349
 40589 Dusseldorf-Benrath,
 Germany
 Tel: +49 211 984 798-0
 Fax: +49 211 984 798-20

Valco Melton France
 Technoparc des Hautes Faventines
 32 Rue Jean Bertin
 26000 Valence
 Tel: +33 (0)4 75 78 13 73
 Fax: +33 (0)4 75 55 74 20

THE 524EZ SERIES VALVES ARE SOLENOID OPERATED FOR PRECISE GLUE PATTERNS AT HIGH MACHINE SPEEDS. THE VALVE FEATURES A CERAMIC TIPPED PLUNGER ASSEMBLY AND NO DYNAMIC SEALS FOR LONG LIFE. THE 524EZR VERSION OFFERS AN ADJUSTABLE STROKE FOR MORE FLEXIBLE PATTERN CONTROL.

APPLICATIONS

FOLDING CARTONS, ENVELOPES, MAILERS AND ANY HIGH PRESSURE, HIGH SPEED, NON-CONTACT APPLICATIONS

STROKE ADJUSTMENT

THE STROKE ADJUSTMENT FINE-TUNES PLUNGER MOTION IN THE VALVE. THE STANDARD SETTING IS TO TIGHTEN THE ADJUSTMENT KNOB COMPLETELY, AND THEN LOOSEN IT 1/2 ROTATION.

TECHNICAL DATA

COIL RESISTANCE - 5.3 OHMS
 VALVE WIDTH - 25mm (.984 in)
 VALVE HEIGHT - 137.37mm (5.408 in)
 MAX FLUID PRESSURE - 500 psi
 VISCOSITY RANGE - 0-4000 cps
 HOLD VOLTAGE - 6 VDC

VALVE ASSEMBLIES

SEE SHEET 2

MAINTENANCE KITS

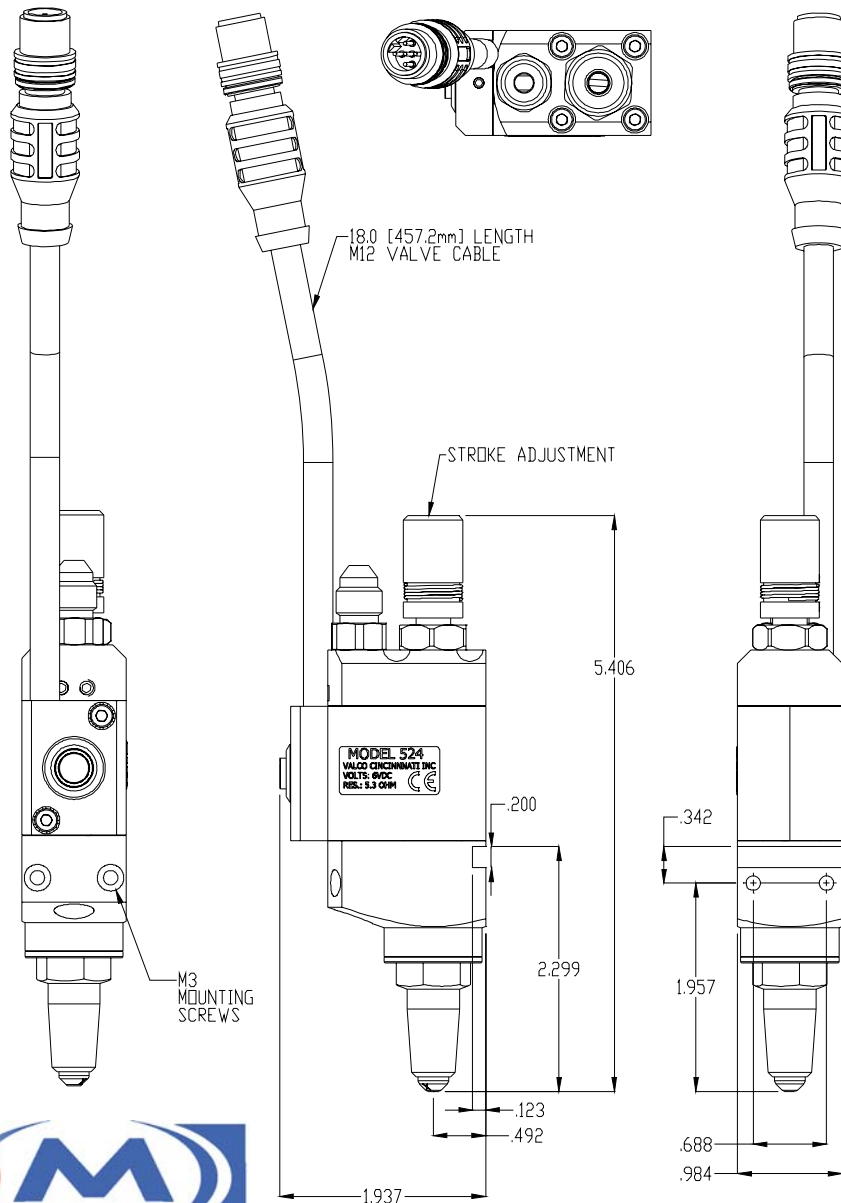
MAINTENANCE KIT (VITON) - 712XX090

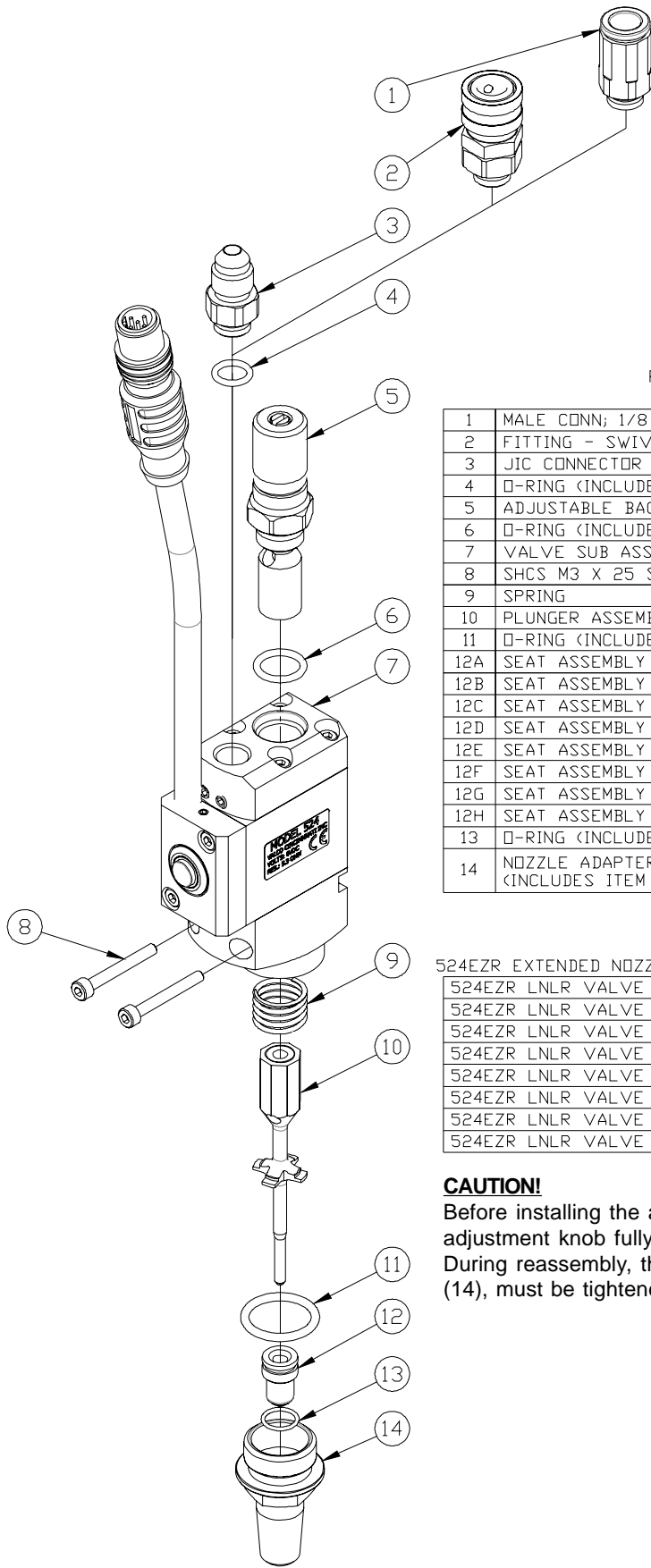
MAINTENANCE KITS INCLUDE:
 LITHIUM GREASE
 FLUSHING ADAPTER
 NOZZLE CLEANING DRILLS
 CLEANING BRUSH
 PLUNGER ASSEMBLY
 O-RINGS
 SPRING

REPAIR KITS

REPAIR KIT (VITON) - 712XX012

REPAIR KITS INCLUDE:
 O-RINGS
 SPRING
 MOUNTING SCREWS





REPLACEMENT PARTS

		VITON
1	MALE CONN; 1/8 BSPP X 8MM TUBE	707XX102
2	FITTING - SWIVEL	799XX658
3	JIC CONNECTOR	707XX345
4	O-RING (INCLUDED W/ ITEMS 1 & 2 & 3)	745XX339
5	ADJUSTABLE BACKSTOP	707XX472
6	O-RING (INCLUDED W/ ITEM 5)	745XX340
7	VALVE SUB ASSEMBLY	712XX079
8	SHCS M3 X 25 SS	798XX049
9	SPRING	783XX042
10	PLUNGER ASSEMBLY	712XX059
11	O-RING (INCLUDED W/ ITEM 14)	745XX007
12A	SEAT ASSEMBLY - STANDARD - 0.25mm	712XX071
12B	SEAT ASSEMBLY - STANDARD - 0.30mm	712XX072
12C	SEAT ASSEMBLY - STANDARD - 0.35mm	712XX073
12D	SEAT ASSEMBLY - STANDARD - 0.40mm	712XX074
12E	SEAT ASSEMBLY - STANDARD - 0.50mm	712XX075
12F	SEAT ASSEMBLY - STANDARD - 0.60mm	712XX076
12G	SEAT ASSEMBLY - STANDARD - 0.70mm	712XX077
12H	SEAT ASSEMBLY - STANDARD - 0.80mm	712XX078
13	O-RING (INCLUDED W/ ITEM 12)	746XX298
14	NOZZLE ADAPTER ASSEMBLY (INCLUDES ITEM 11)	712XX091

524EZR EXTENDED NOZZLE LOW RESTRICTION VALVE ASSEMBLY

524EZR LNLR VALVE ASSEMBLY - 0.25mm	712XX081
524EZR LNLR VALVE ASSEMBLY - 0.30mm	712XX082
524EZR LNLR VALVE ASSEMBLY - 0.35mm	712XX083
524EZR LNLR VALVE ASSEMBLY - 0.40mm	712XX084
524EZR LNLR VALVE ASSEMBLY - 0.50mm	712XX085
524EZR LNLR VALVE ASSEMBLY - 0.60mm	712XX086
524EZR LNLR VALVE ASSEMBLY - 0.70mm	712XX087
524EZR LNLR VALVE ASSEMBLY - 0.80mm	712XX088

CAUTION!

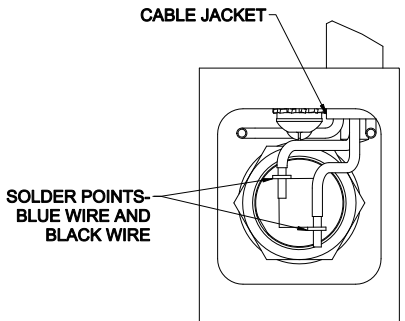
Before installing the adjustable backstop (5), open the stroke adjustment knob fully.

During reassembly, the backstop (5), and the adapter assembly (14), must be tightened into the valve sub-assembly (7) completely.

Parts List

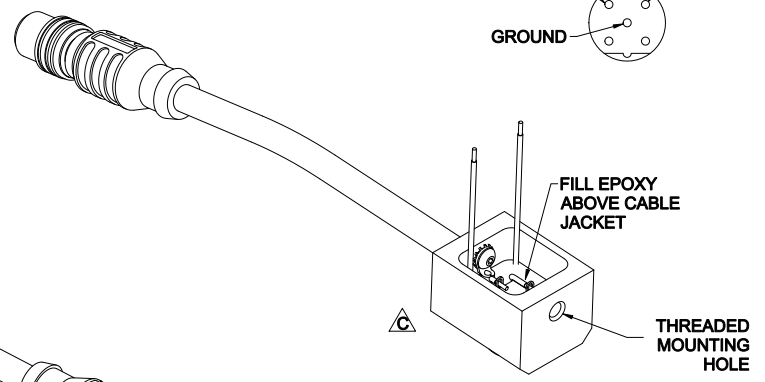
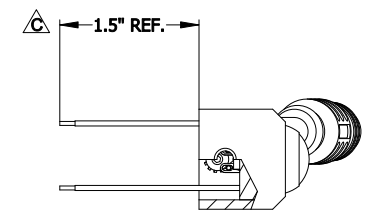
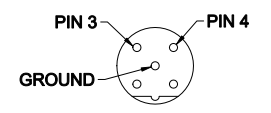
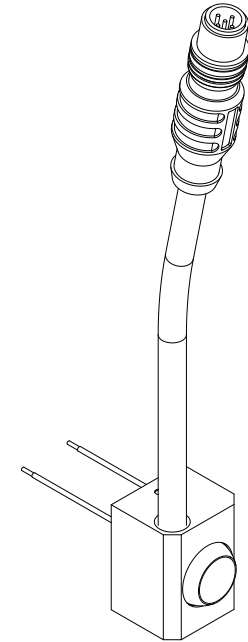
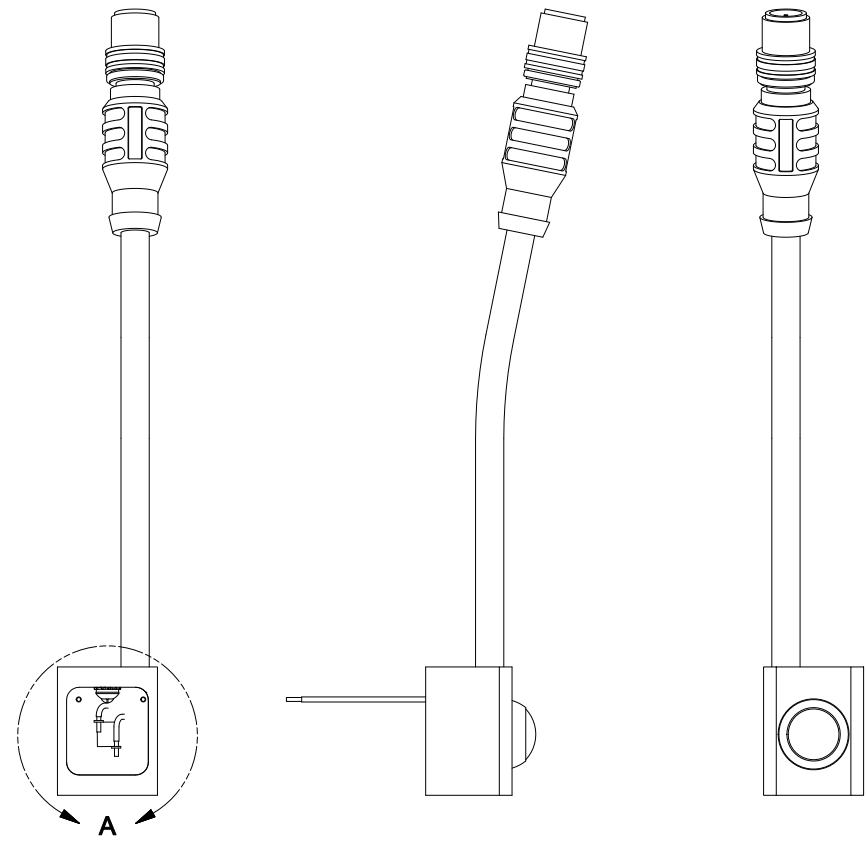
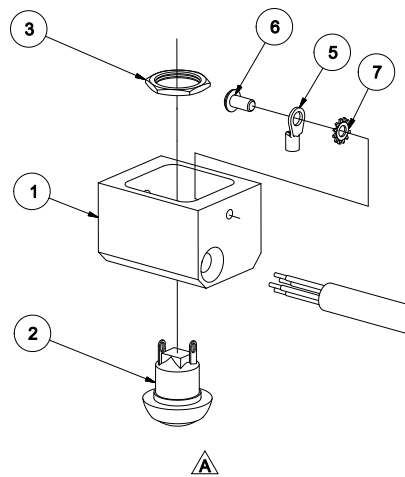
ITEM	PART NUMBER	QTY	DESCRIPTION
1	707XX476	1	CONNECTOR BLOCK; 500 SERIES
2	485XX083	1	SWITCH; PUSH BUTTON, RED
3	485XX084	1	NUT; SWITCH
4	030XX828	1	M12 MALE CABLE; .5M, 5-PIN
5	075XX060	1	WIRE TERMINAL, RING #8 STUD, 22-16 AWG
6	784XX541	1	M3 X 6 BUTTON HEAD CAP SCREW
7	784XX315	1	LOCK WASHER, M3

A



DETAIL A
SCALE 2 : 1

EXPLODED VIEW:



NOTE:
DISCARD LOCK WASHER AND NUT THAT COME WITH 485XX083 (ITEM 2).

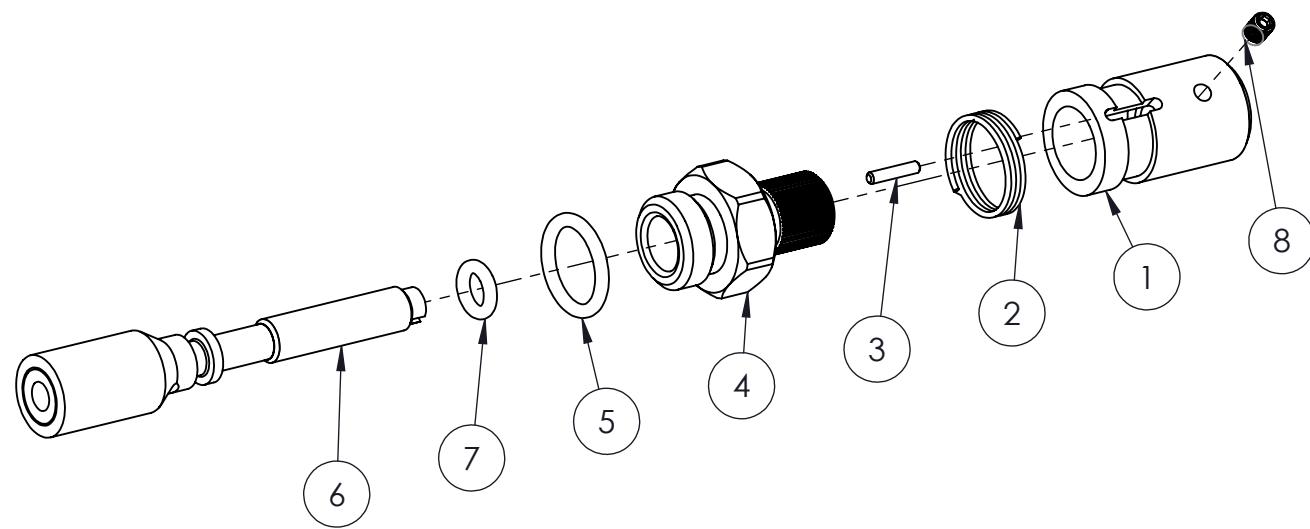
USED ON: - MTL: SEE PARTS LIST FINISH: -		THREAD LENGTH DIMENSIONS ARE FULL THREAD HOLES TO BE CHAMFERED ONE THREAD DEPTH MAX UNLESS OTHERWISE SPECIFIED BREAK ALL SHARP EDGES & CORNERS (R0.05) UNLESS OTHERWISE SPECIFIED (R0.15 MAX)				PROPERTY CONTAINING PROPRIETARY INFORMATION WHICH MUST NOT BE REPRODUCED OR DISCLOSED WITHOUT WRITTEN PERMISSION AND MUST BE RETURNED UPON DEMAND.			
REV.: A ADDED ITEMS 5, 6 & 7, CHANGED NOTES B UPDATED NOTES C ADDED LENGTH CALLOUT UPDATED NOTES D ETS AND EAS CREATED REMOVED ASSEMBLY NOTES E REMOVED LOCK WASHER AND ADDED DISCARD NOTE		9-11-08 JPY 12SEP08 BAW 20NOV17 MMA 01DEC17 EMR 12APR03 BNF 14APR03 BNF 23FEB24 AJI 08MAR24 BAW 10MAR25 ASH 25MAR25 BNF		TOLERANCES - EXCEPT AS NOTED MACHINED SURFACES 125 ANGLUAR ± 1/2 DEG. INCHES DECIMAL .X ± .030 DECIMAL .XX ± .010 DECIMAL .XXX ± .005		TITLE CONNECTOR BLOCK ASSEMBLY 500 SERIES DATE 10/01/07 SCALE 1=1 SHEET 1 OF 1		DRAWING NUMBER 707XX475 SUPERSEDES RSP2595 SUPERSEDED BY	
APPROVED BAW		DRAWN BY RSP CHECKED - APPROVED BAW		DECIMAL .X ± .030 DECIMAL .XX ± .010 DECIMAL .XXX ± .005		DECIMAL .X ± .030 DECIMAL .XX ± .010 DECIMAL .XXX ± .005		DATE 10/01/07 SCALE 1=1 SHEET 1 OF 1 DRAWING NUMBER 707XX475 SUPERSEDES RSP2595 SUPERSEDED BY	

EXPLODED VIEW

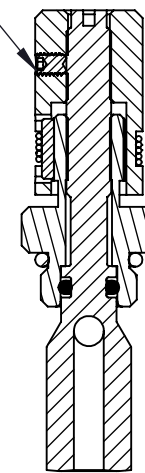
ASSEMBLED VIEW

ITEM	PART NUMBER	QTY	DESCRIPTION
1	707XX573	1	RATCHET KNOB
2	707XX333	1	SPRING RETAINER
3	091XX642	1	DOWEL PIN
4	707XX474	1	RATCHET ADAPTER; 500EZR/ECR
5	746XX089	1	O-RING
6	707XX473	1	BACK-STOP; ADJUSTABLE
7	745XX026	1	O-RING
8	884XX571	1	SET SCREW M3 X 4

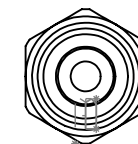
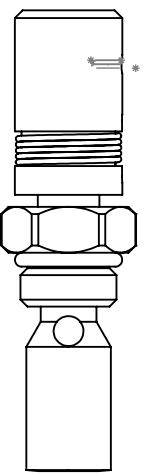
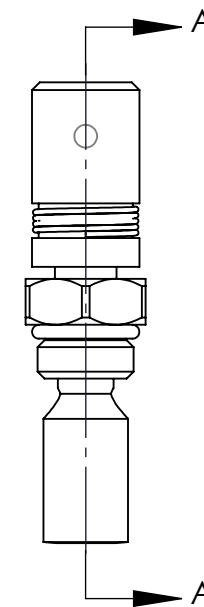
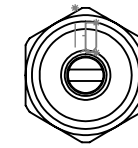
△ D △ F △ G △ H △ J △ K △ L



SET SCREW SITS BELOW SURFACE OF KNOB



SECTION A-A



REV CONT.: F	WAS 884XX471 13JAN21 CZD UPDATED NOTES 03FEB21 AFC	USED ON: -
G	UPDATED NOTES 24MAR22 ETW 09MAY22 EMR	MTL: SEE PARTS LIST
H	UPDATED NOTES 06APR23 BNF 14APR23 BNF	FINISH: -
J	UPDATED NOTES 04MAY23 BNF 09MAY23 BNF	REV.: A WAS 707XX292 09NOV09 JWM 10NOV09 BAW
K	WAS 745XX340 22JAN24 GAV 13FEB24 AFC	B WAS 091XX565 09NOV09 JWM 10NOV09 BAW
L	REMOVED ASSEMBLY NOTES 21MAR25 TBI 25MAR25 BNF	C EDITED NOTE 09NOV09 JWM 10NOV09 BAW
-	-	D ADDED NOTE 19SEP14 CAD 22SEP14 BAW
-	-	E ADDED ITEM 8 & NOTE REDRAWN IN SOLIDWORKS 22NOV16 PDM 30NOV16 PDM

THREAD LENGTH DIMENSIONS ARE FULL THREAD HOLES TO BE CHAMFERED ONE THREAD DEPTH MAX UNLESS OTHERWISE SPECIFIED BREAK ALL SHARP EDGES & CORNERS (DEBURR) UNLESS OTHERWISE SPECIFIED (.015 MAX) DRAWN BY RSP CHECKED - APPROVED BAW			TOLERANCES - EXCEPT AS NOTED MACHINED SURFACES 125 ANGULAR +/- 1/2 DEG. INCHES MILLIMETERS DECIMAL .X +/- .030 DECIMAL [X.] +/- 0,76 DECIMAL .XX +/- .010 DECIMAL [X.X] +/- 0,25 DECIMAL .XXX +/- .005 DECIMAL [X.XX] +/- 0,13		PROPERTY CONTAINING PROPRIETARY INFORMATION WHICH MUST NOT BE REPRODUCED OR DISCLOSED WITHOUT WRITTEN PERMISSION AND MUST BE RETURNED UPON DEMAND.
	TITLE RATCHET BACK-STOP ASSEMBLY 500 SERIES -			DATE 22AUG07 SCALE 1:1 SHEET 1 OF 1	
DRAWING NUMBER 707XX472-01			SUPERSEDES RSP2568 SUPERSEDED BY -		